

## **ECo Controller 0-10V** **Controller for the VILPE<sup>®</sup> ECo190 fan**



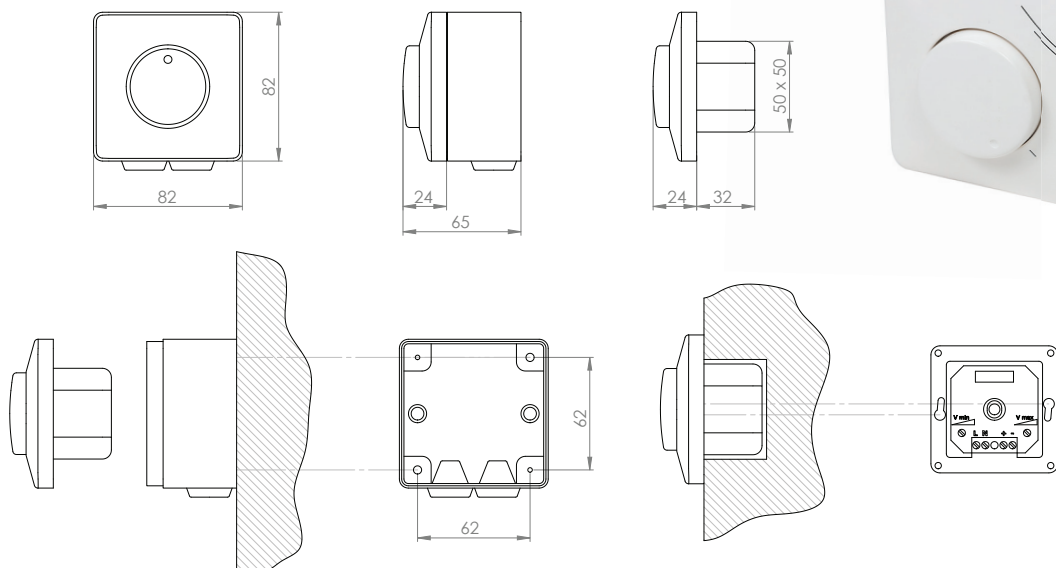
### **Stepless adjustment**

Stepless ECo Controller is ment to be used for manual adjustment of the VILPE<sup>®</sup> ECo190 roof fan. The Eco controller gives an output signal of 0-10 V and its minimum and maximum is adjustable.

The Eco Controller can be used for inset as well as for surface mounting. Due to its splash water proof housing, it can be used in most demanding (like humid) environments, for example kitchens or bathrooms.

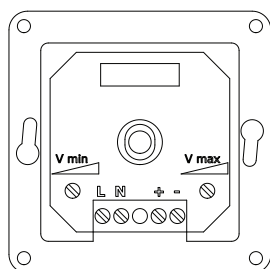
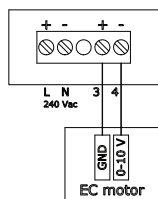
ECo Controller can be used with S and P -series ECo 190 roof fans.

## Dimensions and installation



Weight: 182 g  
Gross weight: 207 g

## Wiring diagram



## Colour

White

## Features

- Voltage supply: 230 V
- Selectable output: 0-10 V, 0-20 mA tai PWM
- Load: 0-10 V ja PWM > 2 kΩ / 0-20 mA < 500 Ω
- Minimum (V1) and maximum (V2) output setting by internal trimmer
- Degree of protection: IP44/54
- Surface- and flushmounting
- Operating temperature: 0...40 °C
- Splashproof casing

## Product numbers

NAME	COLOUR	PRODUCT NUMBER
VILPE® ECO CONTROLLER 0-10V	white	735028